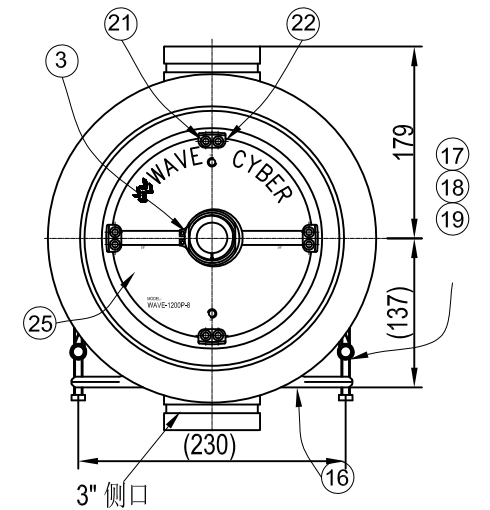


PERMEATE PORT
 OPTION F----NPT 1" FEMALE THREAD;
 OPTION G----Rp 1" FEMALE THREAD;
 OPTION H---- UNION ADAPTOR;
 FIT 32mm(O.D) PIPE
 OPTION J----UNION ADAPTOR;
 FIT 1.32"(O.D) PIPE
 OPTION V----Mechanical Coupling 1"-ABS;
 OPTION S----Mechanical Coupling 1"-SS;

WARNING!
 PRESSURE IN THE PERMEATE PORT
 SHALL NOT EXCEED 125 PSI (0.86MPa)



- 1.Flexible piping should be used on permeate connection to manifold.
- 2.Side port misalignment can not exceed 0.7mm in any direction.
- 3.MPV is not designed for negative pressures.

BEARING PLATE 1200PSI	23120-10	ALUMINUM PLATE	20435	ASME CODE PRODUCT
DESCRIPTION	DRAWING NO.	MATERIAL	COMPUTER CODE	REMARK

DESCRIPTION	DRAWING NO.	CODE	PERMEATE PORT SPECS	COMPUTER CODE
PERMEATE PORT 1200 PSI	23300-10-08-02	UF	VICTAULIC 1.5"	11523
	23300-10-09-01	N	NPT 1 1/2" MALE THREAD	11529
	23300-10-06-01	M	NPT 1 1/4" MALE THREAD	11517
	23300-10-05-01	S	MECHANICAL COUPLING 1"-SS	11498
	23300-10-05-01	V	MECHANICAL COUPLING 1"-ABS	11498
	23300-10-05-01	J	UNION ADAPTOR 1"(1.32")	11498
	23300-10-05-01	F	NPT 1" FEMALE THREAD	11498
	23300-10-05-01	G	Rp 1" FEMALE THREAD	11498
23300-10-05-01	H	UNION ADAPTOR 1"(32mm)	11498	

TECHNICAL REQUIREMENT

- 1.DESIGN PRESSURE 1200PSI(8Mpa) ;
- 2.DESIGN TEMPERATURE 150°F(65°C) ;
3. MIN ALLOWABLE TEMPERATURE 20°F(-7°C) ;
- 4.WORKING MEDIUM,WATER pH RANGE 3~10;
- 5.PLEASE OPERATE IN ACCORDANCE WITH USER MANUAL;
- 6.SPARE PARTS FORM JUST FOR REFERENCE, SPECIFIC FORM OF THE SPARE PART DRAWING PREVAIL.

SHELL Length Code	L Inch (mm)	P Standard Inch (mm)	S Span Inch (mm)
-1	66.06 (1678)	47 (1194)	1@12 (300)
-1.5	86.06 (2186)	67 (1702)	1@32 (810)
-2	106.06 (2694)	87 (2210)	1@50 (1280)
-3	146.06 (3710)	127 (3226)	1@80 (2032)
-4	186.06 (4726)	167 (4242)	2@64 (1626)
-5	226.06 (5742)	207 (5258)	2@78 (1981)
-6	266.06 (6758)	247 (6274)	2@92 (2337)
-7	306.06 (7774)	287 (7290)	2@106 (2692)
-7.5	326.06 (8282)	307 (7798)	2@114 (2896)
-8	346.06 (8790)	327 (8306)	2@120 (3048)

ITEM	DESCRIPTION	DRAWING NO.	QTY	MATERIAL	COMPUTER CODE
27	SIDE PORT WASHER	23100-26	2	304	20303
26	SIDE PORT GASKET	23100-46-04	2	304	20286
25	ALUMINUM PLATE LABEL		2	ADHESIVE LABEL	40846
24	LOGO LABEL		1	ADHESIVE LABEL	40255
23	SERIAL NO. LABEL		1	ARTPAPER 20*53	40223
22	RETAINING BLOCK	23300-36-01	8	316	20183-4
21	SCREW	GB819-85	16	M5*14 STAINLESS STEEL	20833
20	STRAP PROTECTIVE JACKET	23300-19	2or3	SOFT PVC	10188
19	STRAP SCREW		4or6	M8*90 STAINLESS STEEL	20129
18	STRAP NUT	23300-18	4or6	Hpb59-1	20123
17	STRAP	23300-17	2or3	304	20123
16	SADDLE	23300-16	2or3	ENGINEERING THERMOPLASTIC	10141-1
15	EMBEDDED RING	23120-15-02	2	316L	21068
14	ADAPTOR O RING	23300-14	4	EPDM	10182
13	ADAPTOR	23300-13	2	ABS	10125
12	RETAINING RING	23120-11	2	316	20434
11	HEAD SEAL	23300-26	2	EPDM	10175
10	PERMEATE PORT(1200PSI)	SEE "PERMEATE PORT CONFIGURATIONS"	2	PP	SEE THE CHART
9	BEARING PLATE	SEE "BEARING PLATE CONFIGURATIONS"	2	SEE "BEARING PLATE CONFIGURATIONS"	SEE THE CHART
8	PERMEATE PORT O RING	23300-08	2	EPDM	10181
7	THRUST CONE	23300-07	1	PP	10192
6	SIDE PORT NUT	27300-05-04	2	304	21108
5	SIDE PORT SEAL	23100-43-01	2	EPDM	11763
4	CURVED SIDE PORT SEAL	23100-07-04	2	EPDM	10491
3	PERMEATE RETAINING RING	23300-03	2	316	20107
2	SIDE PORT	23120-02-04-03	2	S32750	20384-1
1	SHELL	23120-01-05	1	FIBER GLASS + EPOXY	

REVISION	SIGNATURE	DATA
REFERENTIAL PLASTIC SHRINKAGE (IF NECESSARY):	THE DIMENSIONS ARE FOR REFERENCE ONLY	
WAVE CYBER (SHANGHAI) CO., LTD.		
DESIGN	SCALE 1:7	MATERIAL MODEL WAVE-1200P-8
INSPECTION	QUANTITY	SMOOTHNESS DESCRIPTION 1200P-8 MEMBRANE HOUSING (Hi-Flo)
APPROVAL	PROJECTION	COMPUTER CODE DRAWING NO. 23120-00-03
THIS PRODUCT DRAWING CAN NOT BE COPIED AND/OR USED WITHOUT PRIOR WRITTEN APPROVAL OF WAVE CYBER.		VERSION NO. 0
DO NOT MEASURE THE DIMENSIONS.		UNIT: MM TOTAL PAGE: 1