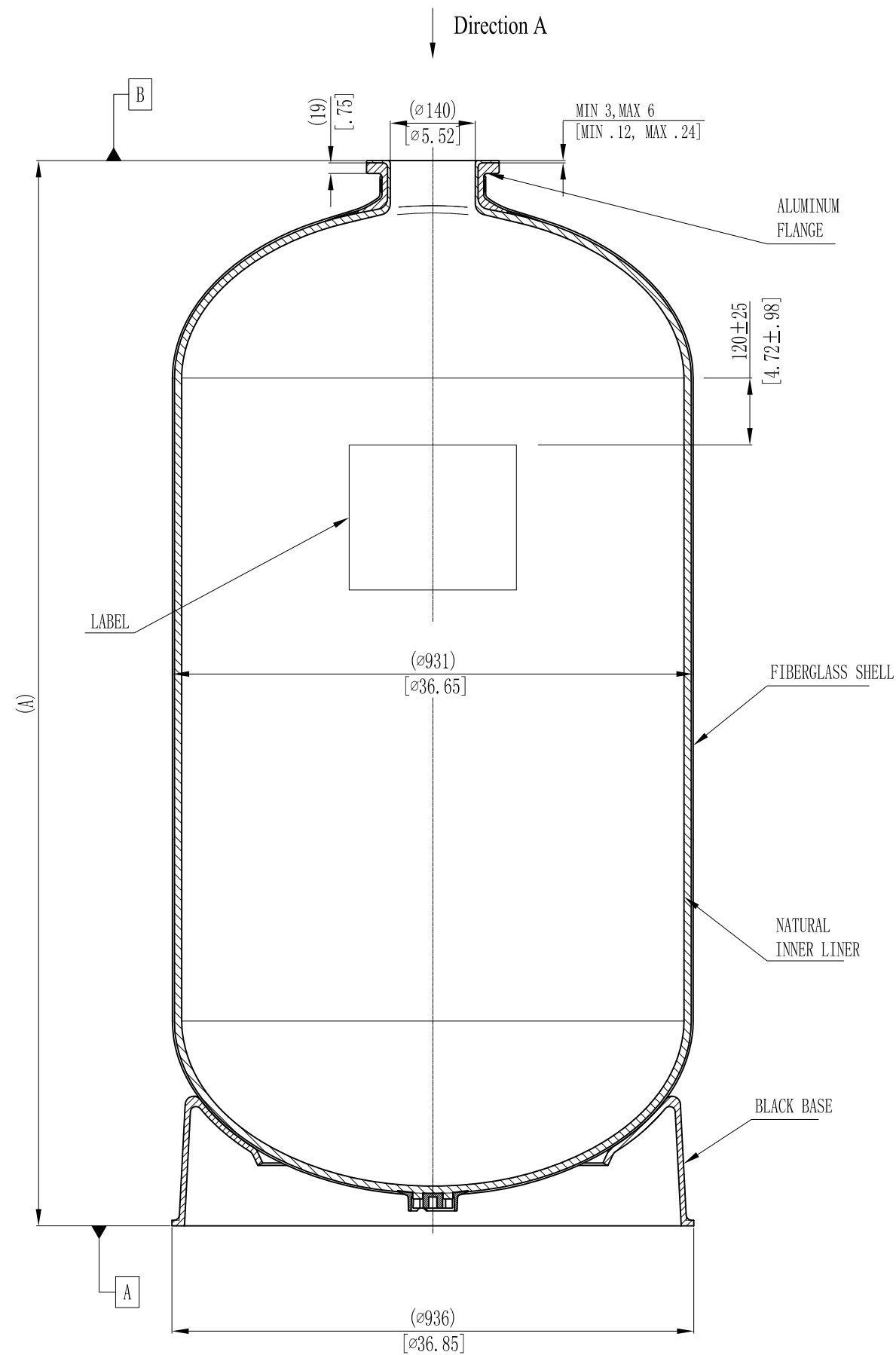
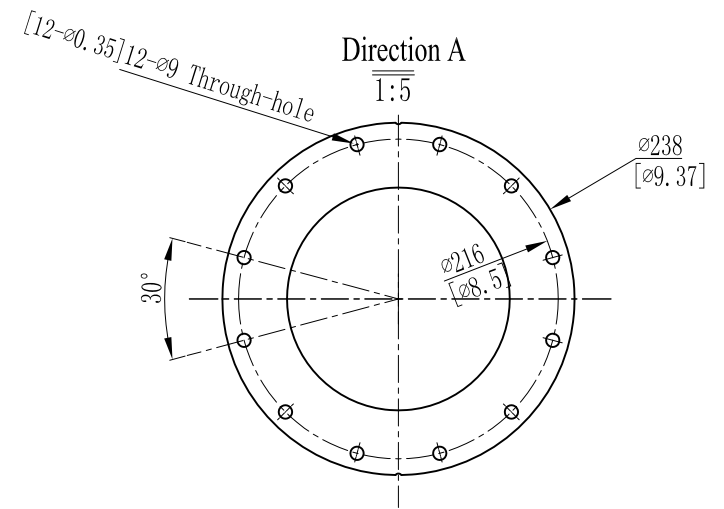


00-193311



MODEL	A				VOLUME			DOME VOLUME			WEIGHT	
	mm	inch	+/-		liters	U. S. gal	cubic FT	liters	U. S. gal	cubic FT	Kg	LBS
			mm	inch								
36x72	1916	75.43	15	0.59	998	263.7	35.27	125.8	33.21	4.44	124.4	273.7



ALUMINUM FLANGE BOLT HOLE PATTERN

NOTES:

- TANK MUST MEET ALL APPLICABLE SPECIFICATIONS OF NSF/ANSI 044 STANDARD, LATEST REVISION.
- OPERATING SPECIFICATIONS:
 - MAXIMUM WORKING PRESSURE - 150 PSI (10.5BAR)
 - TEMPERATURE RANGE - 34-150° F (1-65°C)
 - MAXIMUM VACUUM - 5"Hg (127mm Hg)
- VISUAL LINER INSPECTION
 - NO MORE THAN 20 INTERNAL OR EXTERNAL BLEMISHES OR BURNT DEBRIS.
 - NO INTERNAL OR EXTERNAL BLEMISHES OR BURNT DEBRIS LARGER THAN 5×5mm.
 - NO INTERNAL BLEMISHES OR BURNT DEBRIS ALLOWED.
- ALL GLASS STRANDS FROM FIBERGLASS LINER TO BE BONDED AND COVERED.
- SURFACE TO BE FREE OF NICKS, SCRATCHES, RESIN AND GLASS.
- SURFACE FINISH.
- DIMENSIONS IN PARENTHESIS ARE REFERENCE ONLY.
- DIMENSIONS IN SQUARE PARENTHESIS ARE INCH UNIT.
- TANK TO BE BONDED TO BASE.
- USING A STANDARD LEVEL WITH TANK POSITIONED ON A LEVEL SURFACE, DATUM B TO BE PARALLEL WITH DATUM A. BUBBLE OF LEVEL MUST FALL COMPLETELY WITHIN LINES WHEN MEASURED AT 90° INTERVALS WHEN PLACED ON THE TOP OF THE FLANGE.

CHANGED THE HEIGHT FROM 1930±15 TO 1916±15							
VERSION NO.	DESCRIPTION OF CHANGES:				SIGNATURE	DATE	
REFERENTIAL PLASTIC SHRINKAGE (IF NECESSARY):		SIGNATURE				WAVE CYBER (SHANGHAI) CO., LTD.	
DESIGN	NAME	DATE	SCALE	MATERIAL	MODEL		
INSPECTION			1 : 10		DESCRIPTION		
APPROVAL			QUANTITY	SMOOTHNESS	36" FRP PRESSURE VESSEL (SINGLE FLANGE OPENING)		
THIS PRODUCT DRAWING CAN NOT BE COPIED AND/OR USED WITHOUT PRIOR WRITTEN APPROVAL OF WAVE CYBER.		PROJECTION	COMPUTER CODE	DRAWING NO.	VERSION NO.		
				113361-00	7		
DO NOT MEASURE THE DIMENSIONS.			UNIT: MM	TOTAL PAGE: 1			