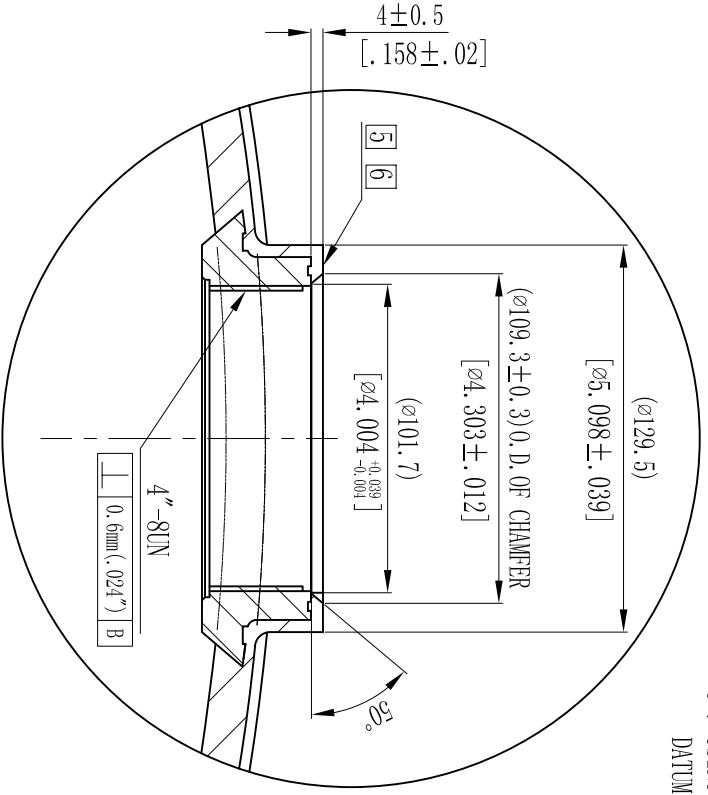


THIS DIMENSION CAN BE CHANGED WITH THE CUSTOMERS' REQUIREMENT



1:2.5

MODEL	A		VOLUME	DOME VOLUME		WEIGHT						
	mm	inch		liters	U.S. gal		liters	U.S. gal	cubic FT	Kg	LBS	
14x65	1674	65.91	6	.24	148	39.1	5.23	6.16	1.63	0.22	14.80	32.60
14x52	1340	52.76	6	.24	115	30.38	4.06	6.16	1.63	0.22	12.55	27.64
14x47	1194	47.01	6	.24	101	26.68	3.57	6.16	1.63	0.22	11.6	25.52

- NOTES:
- TANK MUST MEET ALL APPLICABLE SPECIFICATIONS OF NSF/ANSI 044 STANDARD, LATEST REVISION.
  - OPERATING SPECIFICATIONS:
    - A. MAXIMUM WORKING PRESSURE - 150 PSI (10.5BAR)
    - B. TEMPERATURE RANGE - 34-120° F(1-49°C)
    - C. MAXIMUM VACUUM - 5"Hg (127mm Hg)
  - VISUAL LINER INSPECTION
    - A. NO MORE THAN 10 INTERNAL OR EXTERNAL BLEMISHES OR BURNT DEBRIS.
    - B. NO INTERNAL OR EXTERNAL BLEMISHES OR BURNT DEBRIS LARGER THAN 3x3mm.
    - C. NO INTERNAL BLEMISHES OR BURNT DEBRIS ALLOWED.
  - ALL GLASS STRANDS FROM FIBERGLASS LINER TO BE BONDED AND COVERED.
  - SURFACE TO BE FREE OF NICKS, SCRATCHES, RESIN AND GLASS.
  - SURFACE FINISH.
  - DIMENSIONS IN PARENTHESIS ARE REFERENCE ONLY.
  - DIMENSIONS IN SQUARE PARENTHESIS ARE INCH UNIT.
  - USING A STANDARD LEVEL WITH TANK POSITIONED ON A LEVEL SURFACE, DATUM B TO BE PARALLEL WITH DATUM A. BUBBLE OR LEVEL MUST FALL COMPLETELY WITHIN LINES WHEN MEASURED AT 90° INTERVALS.

5	THIS DRAWING IS UPDATED COMPLYING WITH THE CHINESE VERSION	2008/07/21
VERSION NO.	DESCRIPTION OF CHANGES:	SIGNATURE
REPERENTIAL PLASTIC SHRINKAGE (IF NECESSARY):		DATE
SIGNATURE		
NAME	DATE	
DESIGN	SCALE	MODEL
INSPECTION	1 : 5	DESCRIPTION
APPROVAL	QUANTITY	14" (4") FRP PRESSURE VESSEL
	MATERIAL	
	SMOOTHNESS	
	PROJECTION	DRAWING NO.
	COMPUTER CODE	111142-00
	DO NOT MEASURE THE DIMENSIONS.	VERSION NO.
	UNIT: MM	5
	TOTAL PAGE: 1	

WAVE CYBER (SHANGHAI) CO., LTD.