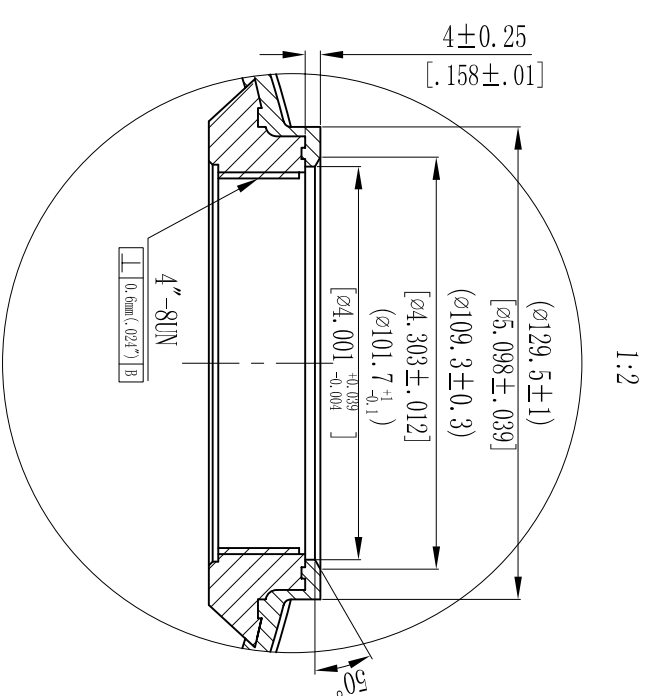


MODEL	A			VOLUME			DOME VOLUME			WEIGHT		
	mm	inch	+/-	liters	U.S. gal	cubic FT	liters	U.S. gal	cubic FT	Kg	LBS	
12x48	1227	48.31	6	.24	79.5	21.0	2.81	3.87	1.02	0.14	8.49	18.68
12x52	1333	52.48	6	.24	87.3	23.06	3.08	3.87	1.02	0.14	9.04	19.89



## NOTES:

- TANK MUST MEET ALL APPLICABLE SPECIFICATIONS OF NSF/ANSI 044 STANDARD, LATEST REVISION.
- OPERATING SPECIFICATIONS:
  - MAXIMUM WORKING PRESSURE - 150 PSI (10.5BAR)
  - TEMPERATURE RANGE - 34-120° F (-49°C)
  - MAXIMUM VACUUM - 5"Hg (127mm Hg)
- VISUAL LINER INSPECTION
  - NO MORE THAN 10 INTERNAL OR EXTERNAL BLEMISHES OR BURNT DEBRIS.
  - NO INTERNAL OR EXTERNAL BLEMISHES OR BURNT DEBRIS LARGER THAN 3×3mm.
  - NO INTERNAL BLEMISHES OR BURNT DEBRIS ALLOWED.
- ALL GLASS STRANDS FROM FIBERGLASS LINER TO BE BONDED AND COVERED.
- SURFACE TO BE FREE OF NICKS, SCRATCHES, RESIN AND GLASS.
- SURFACE FINISH.
- DIMENSIONS IN PARENTHESIS ARE REFERENCE ONLY.
- DIMENSIONS IN SQUARE PARENTHESIS ARE INCH UNIT.

VERSION NO.	THIS DRAWING IS UPDATED COMPLYING WITH THE CHINESE VERSION	DESCRIPTION OF CHANGES:	SIGNATURE:	DATE:
0	THIS DRAWING IS UPDATED COMPLYING WITH THE CHINESE VERSION			
REFERENTIAL PLASTIC SHRINKAGE (IF NECESSARY):				
SIGNATURE				
DESIGN	NAME	DATE		
INSPECTION				
APPROVAL				
SCALE		MATERIAL		
1 : 5				
QUANTITY		SMOOTHNESS		
PROJECTION		COMPUTER CODE		DRAWING NO.
FIRST ANGLE				111124-00
				VERSION NO.
				0
DO NOT MEASURE THE DIMENSIONS.				TOTAL PAGE: 1

**WAVE CYBER (SHANGHAI) CO., LTD.**

**12" (4") FRP PRESSURE VESSEL**