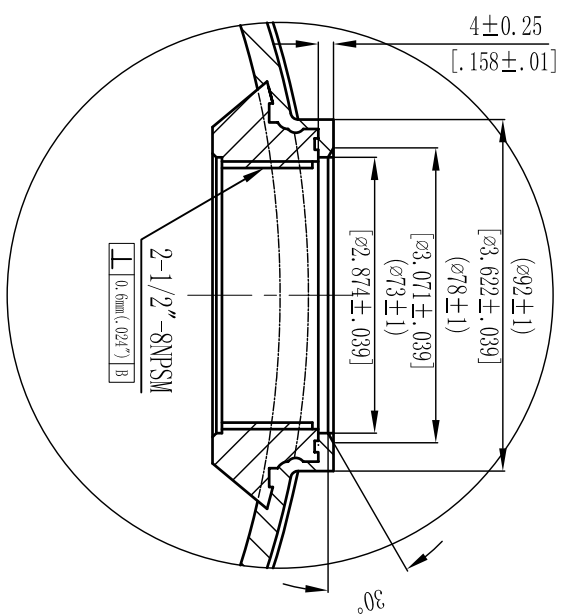
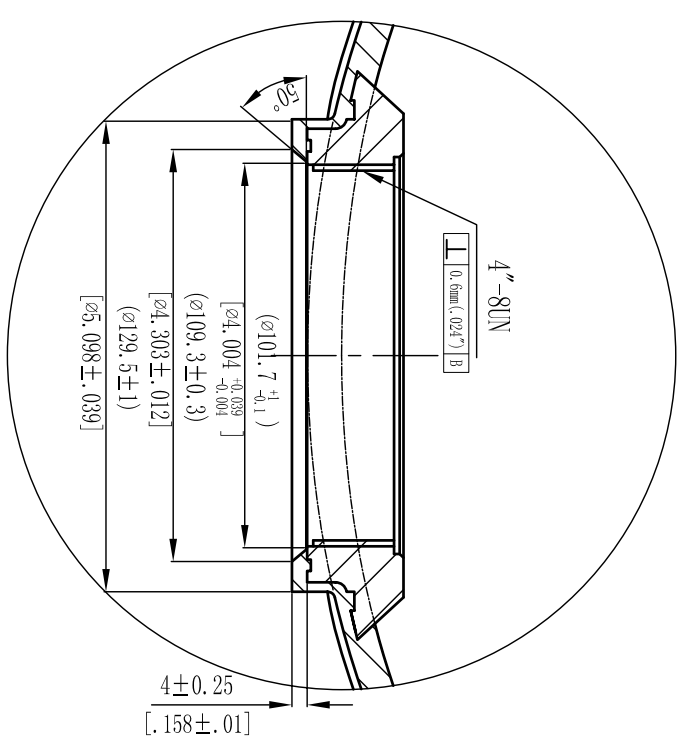


THIS DIMENSION CAN BE CHANGED WITH THE CUSTOMERS' REQUIREMENT



PART A 1:2



PART B 1:2

- NOTES:
- TANK MUST MEET ALL APPLICABLE SPECIFICATIONS OF NSF/ANSI 044 STANDARD, LATEST REVISION.
 - OPERATING SPECIFICATIONS:
 - A. MAXIMUM WORKING PRESSURE - 150 PSI (10.5BAR)
 - B. TEMPERATURE RANGE - 34-120° F (1-49°C)
 - C. MAXIMUM VACUUM - 5"Hg (127mm Hg)
 - VISUAL LINER INSPECTION
 - A. NO MORE THAN 10 INTERNAL OR EXTERNAL BLEMISHES OR BURNT DEBRIS.
 - B. NO INTERNAL OR EXTERNAL BLEMISHES OR BURNT DEBRIS LARGER THAN 3×3mm.
 - C. NO INTERNAL BLEMISHES OR BURNT DEBRIS ALLOWED.
 - ALL GLASS STRANDS FROM FIBERGLASS LINER TO BE BONDED AND COVERED.
 - SURFACE TO BE FREE OF NICKS, SCRATCHES, RESIN AND GLASS.
 - DIMENSIONS IN PARENTHESES ARE REFERENCE ONLY.
 - DIMENSIONS IN SQUARE PARENTHESES ARE INCH UNIT.
 - USING A STANDARD LEVEL WITH TANK POSITIONED ON A LEVEL SURFACE, DATUM B TO BE PARALLEL WITH DATUM A. BUBBLE OR LEVEL MUST FALL COMPLETELY WITHIN LINES WHEN MEASURED AT 90° INTERVALS.

MODEL	A		VOLUME	DOME VOLUME		WEIGHT						
	mm	inch		liters	U.S. gal	liters	U.S. gal	kg	LBS			
13x44	1279	50.35	6	.24	84.8L	22.40	3.00	4.91	1.30.	0.17	8.5	18.70
13x54	1542	60.71	6	.24	105.7L	27.93	3.73	4.91	1.30.	0.17	10.9	23.98

VERSION NO.	1	THIS DRAWING IS UPDATED COMPLYING WITH THE CHINESE VERSION	SIGNATURE	DATE	2009/06/11
REPRESENTATIONAL PLASTIC SHRINKAGE (IF NECESSARY):		DESCRIPTION OF CHANGES:			
SIGNATURE		WAVE CYBER (SHANGHAI) CO., LTD.			
DESIGN	NAME	SCALE	MATERIAL	MODEL	
INSPECTION		1 : 5		DESCRIPTION	
APPROVAL		QUANTITY	SMOOTHNESS	VESSEL	
THIS PRODUCT DRAWING CAN NOT BE COPIED AND/OR USED WITHOUT PRIOR WRITTEN APPROVAL OF WAVE CYBER.		PROJECTION	COMPUTER CODE	DRAWING NO.	VERSION NO.
DO NOT MEASURE THE DIMENSIONS.				111130-00	1
UNIT: MM				TOTAL PAGE: 1	