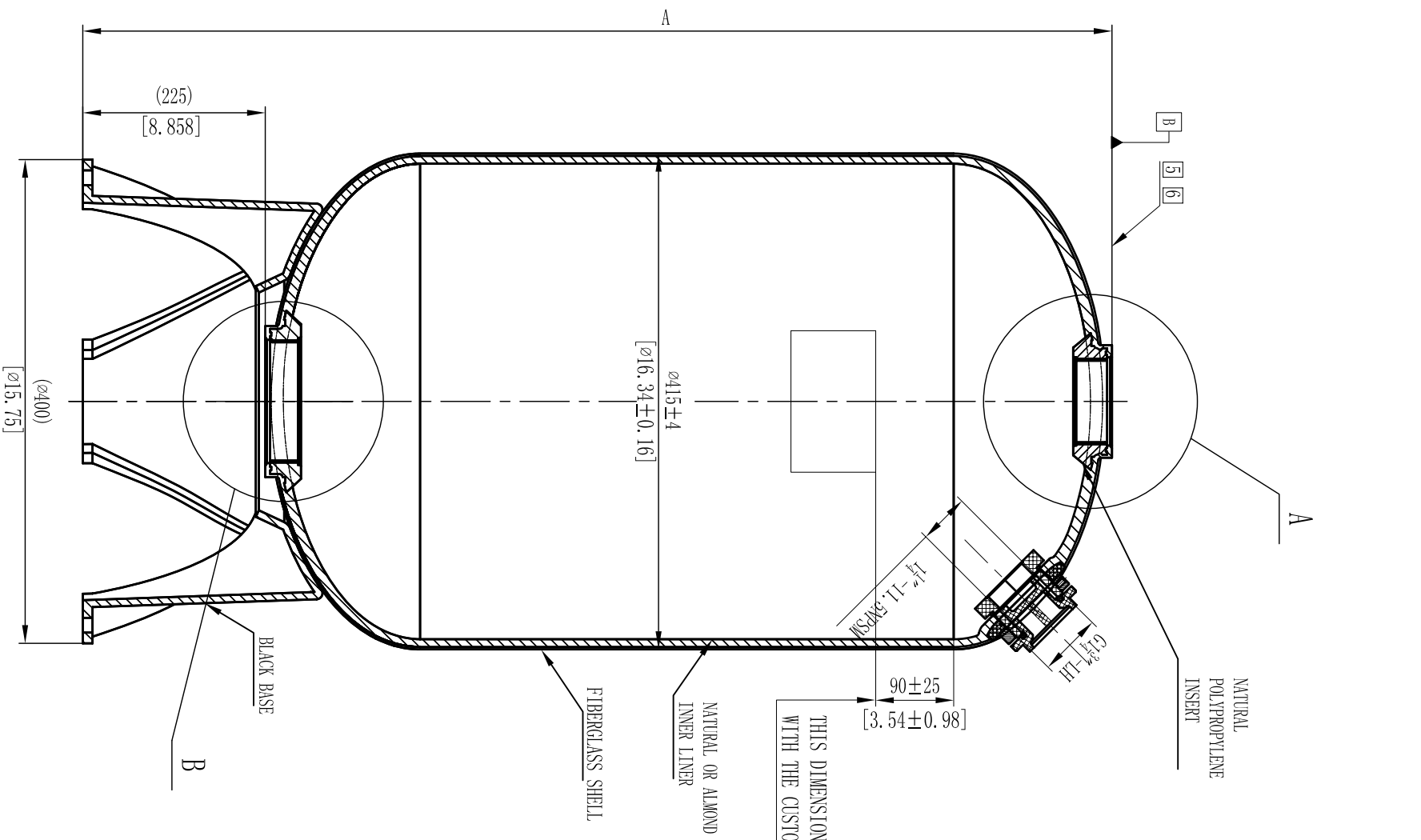
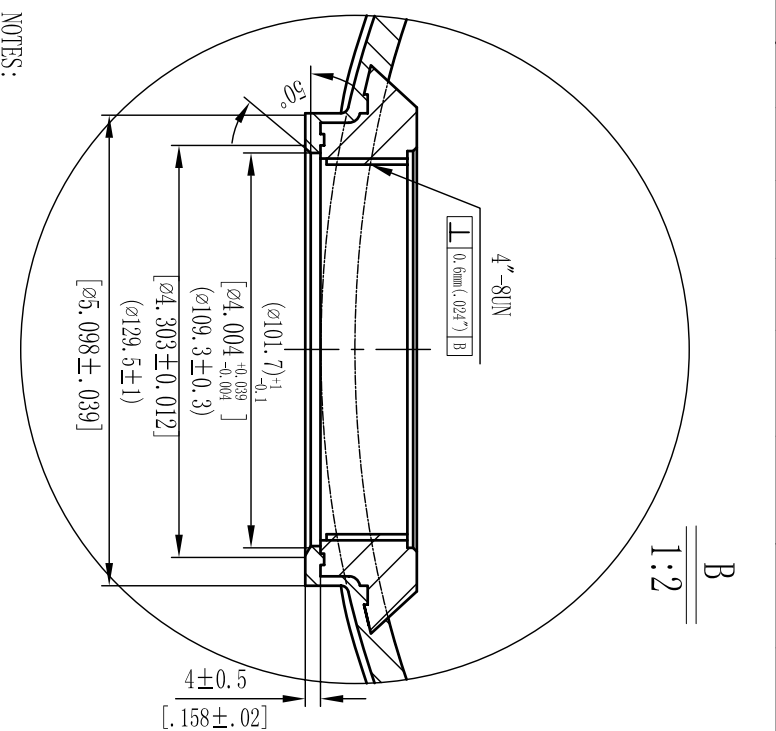
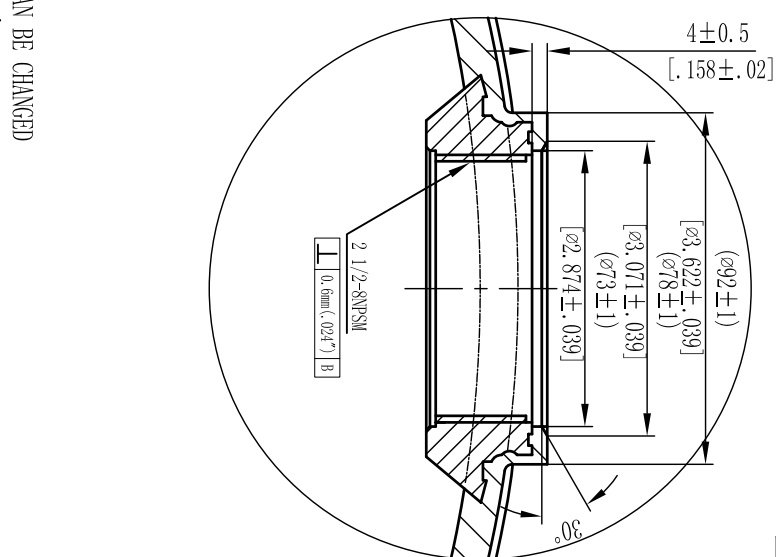


MODEL	A				VOLUME		DOME VOLUME		WEIGHT			
	mm	inch	mm +/-	inch	liters	U.S. gal	liters	U.S. gal	cubic FT	Kg	LBS	
16x28	922	36.30	4	0.16	76	20.08	2.69	9.15	2.42	0.32	10.75	23.65
16x65	1867	73.50	4	0.16	194	51.25	6.86	9.15	2.42	0.32	23.92	52.62



THIS DIMENSION CAN BE CHANGED WITH THE CUSTOMERS' REQUIREMENT



NOTES:

- TANK MUST MEET ALL APPLICABLE SPECIFICATIONS OF NSF/ANSI 044 STANDARD, LATEST REVISION.
- OPERATING SPECIFICATIONS:
 - A. MAXIMUM WORKING PRESSURE - 150 PSI (10.5BAR)
 - B. TEMPERATURE RANGE - $34-120^\circ F$ ($1-49^\circ C$)
 - C. MAXIMUM VACUUM - $5" Hg$ (127mm Hg)
- VISUAL LINER INSPECTION
 - A. NO MORE THAN 10 INTERNAL OR EXTERNAL BLEMISHES OR BURNT DEBRIS.
 - B. NO INTERNAL OR EXTERNAL BLEMISHES OR BURNT DEBRIS LARGER THAN $3 \times 3mm$.
 - C. NO INTERNAL BLEMISHES OR BURNT DEBRIS ALLOWED.
- ALL GLASS STRANDS FROM FIBERGLASS LINER TO BE BONDED AND COVERED.
- SURFACE TO BE FREE OF NICKS, SCRATCHES, RESIN AND GLASS.
- SURFACE FINISH.
- DIMENSIONS IN PARENTHESIS ARE REFERENCE ONLY.
- DIMENSIONS IN SQUARE PARENTHESIS ARE INCH UNIT.
- USING A STANDARD LEVEL WITH TANK POSITIONED ON A LEVEL SURFACE, DATUM B TO BE PARALLEL WITH DATUM A. BUBBLE OF LEVEL MUST FALL COMPLETELY WITHIN LINES WHEN MEASURED AT 90° INTERVALS.

VERSION NO.	ADD SPEC 10465	DESCRIPTION OF CHANGES:	SIGNATURE:	DATE:
REPRESENTATIONAL PLASTIC SHRINKAGE (IF NECESSARY):				
SIGNATURE		DATE		
DESIGN	NAME	SCALE	MATERIAL	MODEL
INSPECTION		1 : 5		16" (2.5"-4") FRP PRESSURE VESSEL (DOME HOLE)
APPROVAL		QUANTITY	SMOOTHNESS	COMPUTER CODE
THIS PRODUCT DRAWING CAN NOT BE COPIED AND/OR USED WITHOUT PRIOR WRITTEN APPROVAL OF WAVE CYBER.		PROJECTION		DRAWING NO. 112160-00
DO NOT MEASURE THE DIMENSIONS.		UNIT: MM	TOTAL PAGE: 1	VERSION NO. 1

WAVE CYBER (SHANGHAI) CO., LTD.